












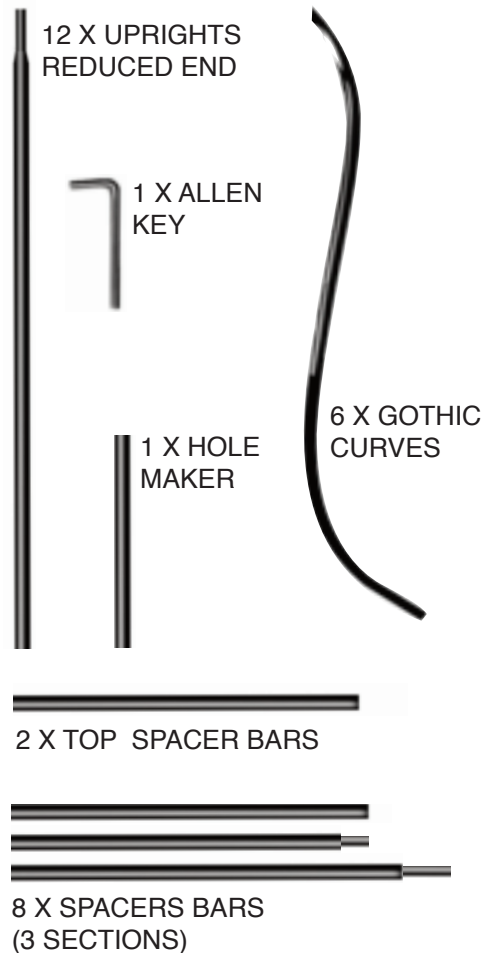


PARTS LIST

In the unlikely event you are missing any components please ring 0845 260 44 50 and state the name of the product, size and a description of the item.i.e. "Classic Gothic Pergola 1.5m, curve."

-  6 X END PLUGS
-  16 X END CAPS
-  28 X MOISTURE SEALS
16 SMALL 12 LARGE
-  4 X T-JOINTS
-  52 X SCREWS
-  24 X 2 JOINTS
-  3 X HORIZONTAL CLAMPS, BOLTS, WASHERS & NUTS
-  3 X FINIAL
-  3 X FINIAL MOUNT KIT
-  ← 2 X TOP BOLTS
-  ← 1 X FINIAL SUPPORT MOUNT
-  ← 2 X TUBE CONNECTOR
-  ← 2 X TUBE GRIP WASHER

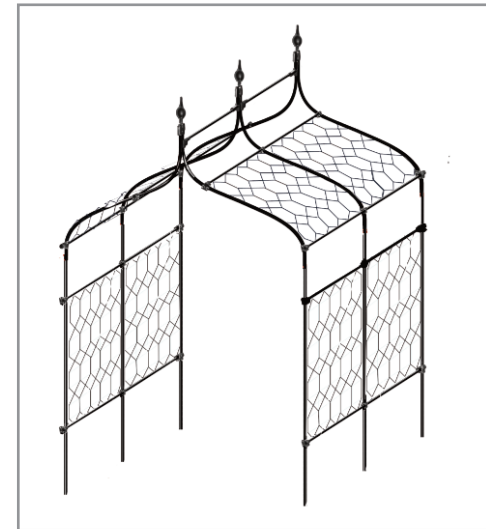


LATTICE & TIES	
Cells	Quantity
4 x 5	8



GOTHIC PERGOLA

CLASSIC 1.2m, 1.5m



When you are confident you understand the procedure, assemble, following the sequence of the illustrations.

Positioning of the horizontal bars

In many cases the position of the horizontal bars is down to personal preference. However, If you have the lattice option you will need to leave the correct distance between bars.

On the roof section, the T, or crossway joints need to be at least 3 inches above the base of the tube.

Do not over tighten

All screws should only be fully tightened once the assembly has been completed.

Spacer assembly



Ensure the spacer bars are driven home fully into the T-joints. It is vital these are all the same length.

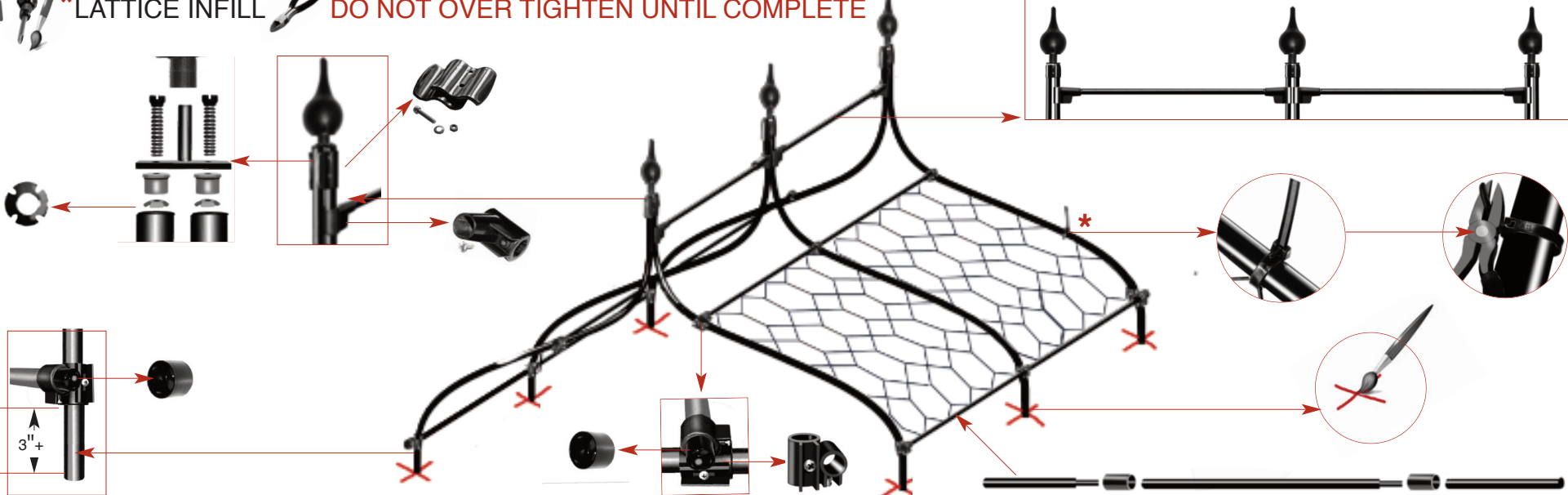
Lattice panel option.


For illustrative purposes we have only shown one side fixed with the lattice panels. Attach panels to both sides as you proceed.

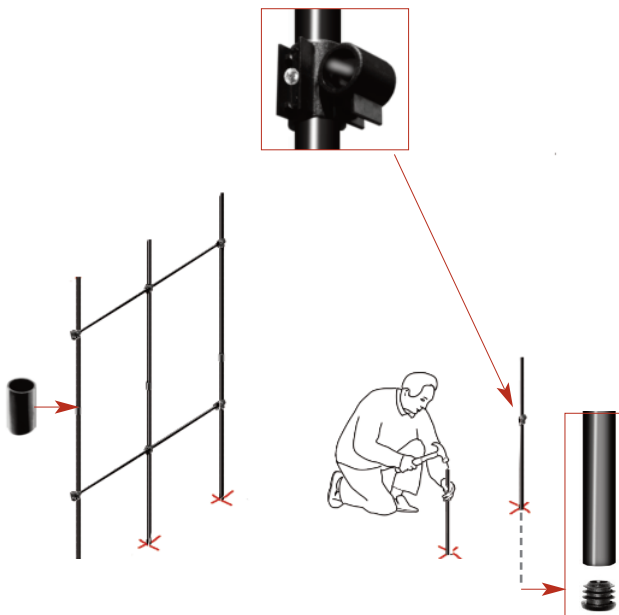
If you are experiencing any issues with your Agriframes product please contact our customer services team on 0845 2604450 and quote the following reference number



CLASSIC GOTHIC PERGOLA

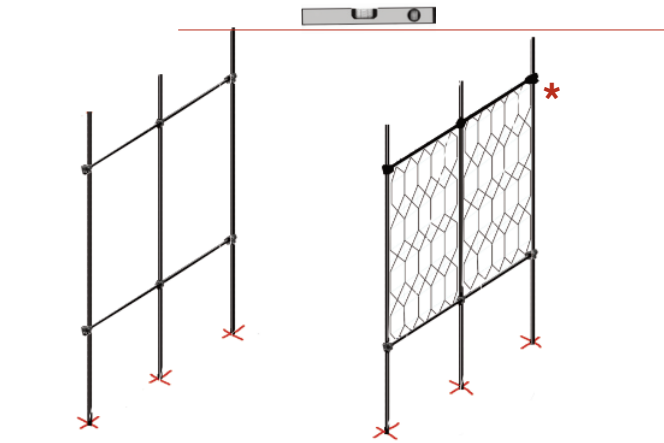
STEP. 1  * LATTICE INFILL  DO NOT OVER TIGHTEN UNTIL COMPLETE




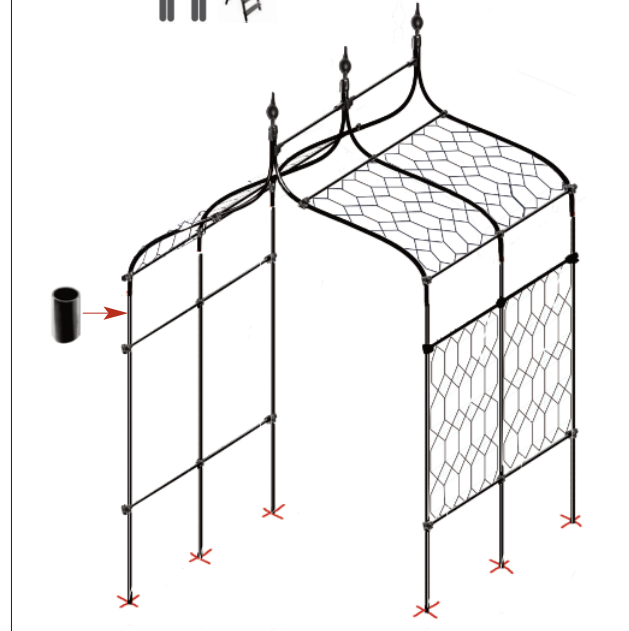
STEP. 2 



STEP. 3  * LATTICE OPTION 



STEP. 4 



* ONLY FOR ORDERS WITH LATTICE PANNELS. PANNELS CAN BE ORDERED www.agriframes.co.uk